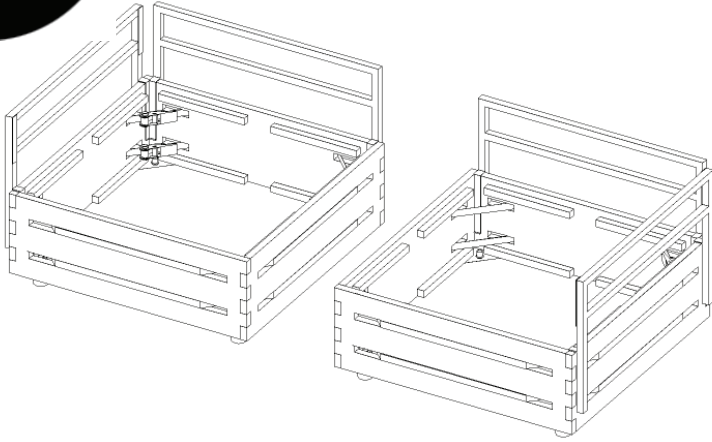
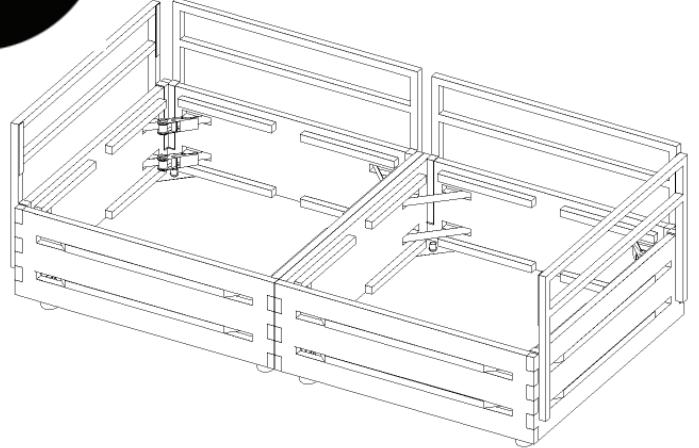
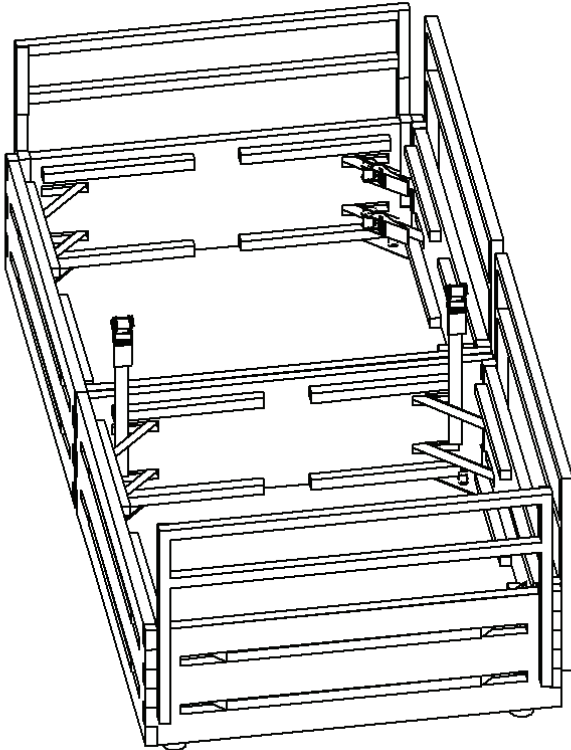


1

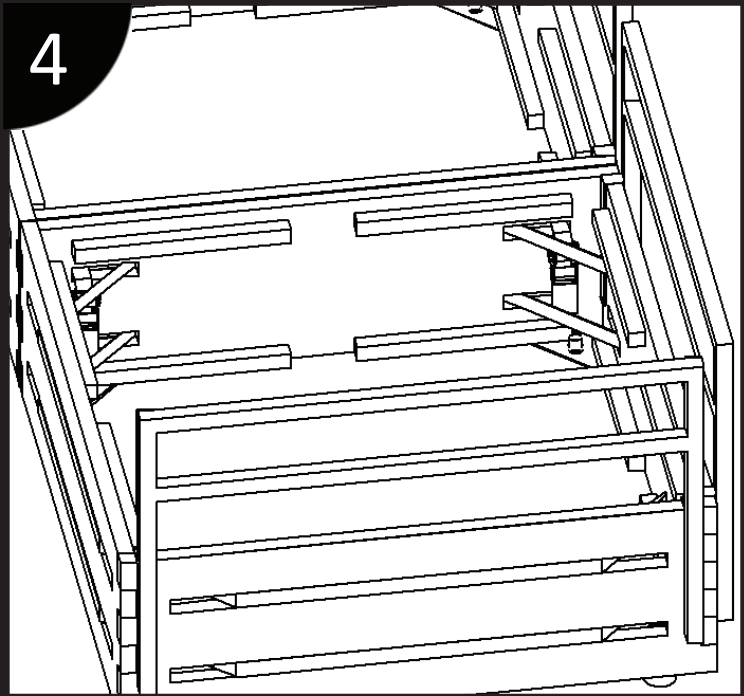
Arrange the 2 or more modules in the order that you intend to join together. Be sure to have removed all cushions and seat panels so there is clear access to the storage compartment.

2

Slide the modules together making sure the front and back faces run flush with each other. Notice that when 2 modules are flush, (4) pass through ports are created at the strap channels.

3

Take the (2) joining ratchets, place one at the interior front corner and one at the interior rear corner of one of the 2 modules to be joined. Make sure the the loose end of the strap

4

Feed the loose end of one joining ratchets through the lower pass-through port into the interior of the other module. Turn the strap upward and slip it back into the first module through the upper pass thought. Fasten the strap end onto the attached ratchet and tension it down. Repeat steps with the second ratchet to complete the joining of the (2) modules. When the straps are fastened the (2) joining ratchets should be tucked behind the fastening straps of the module. **DO NOT OVER-TIGHTEN THE STRAP**